

boomerang

B&T Design Team

Co-Seating&Co-Working



boomerang

Designer: B&T Design Team Category: Co-Seating&Co-Working
Environment: Indoor Country of Production: Turkey

Product Details

Beech solid wood frame structure is supported by 8mm poplar plywood and 4mm MDF panels. PU foams with different densities are used on seating and back. Silicon fiber sheet is used for covering sofa after foam fixing before fabric upholstery.

Leg

Legs are produced from a tubular metal profile. Metal ground leveler is under the leg.

Materials

Upholstery


Fabric, Leather, Artificial Leather. COM and COL options are also available.

Metal Leg Finishes

Chrome, Electrostatic Powder Coating Colors

Click to view the fabric and material catalogues via bt.design:

[B&T Fabric Catalogues](#) 

[B&T Material Catalogues](#) 

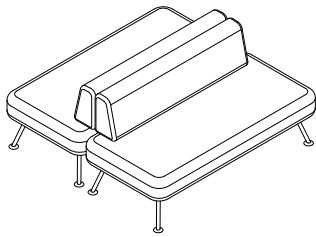
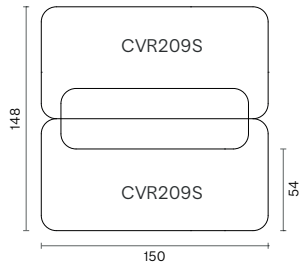


textile fabric yardage (mt)	real leather square meter(m ²)	
3,2	8	150 cm
4	10	180 cm
4,2	10	200 cm
5	12	220 cm
5,5	11	Angled 180 cm
6	13	Angled 220 cm
3	5	Pouf 150 cm
6,4	16	Plan 01
12,4	26	Plan 02
16	40	Plan 03
22	44	Plan 04
8	20	Plan 05
9,4	21	Plan 06
11,9	27	Plan 07
24	52	Plan 08

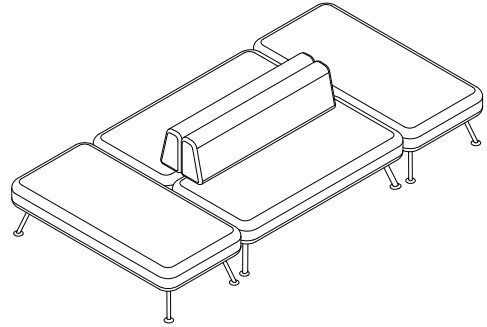
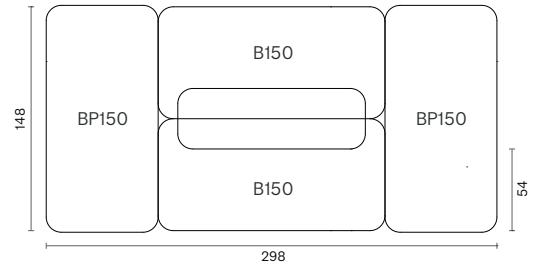


BOOMERANG CONFIGURATIONS

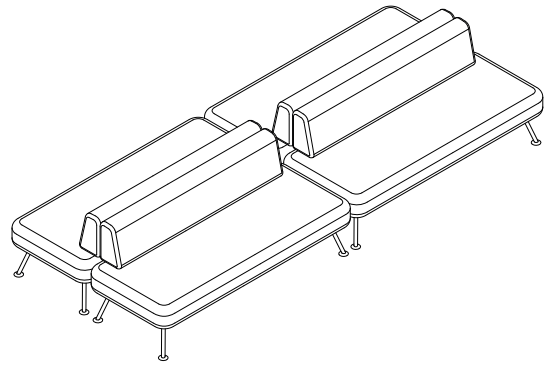
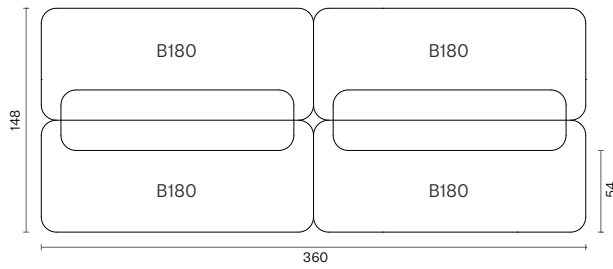
Plan 01



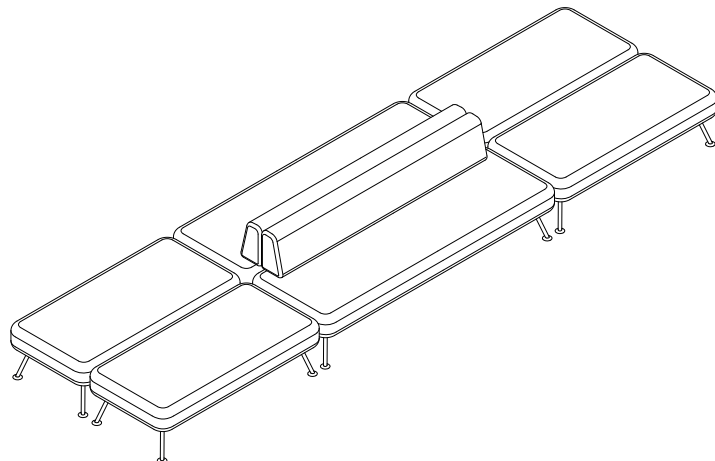
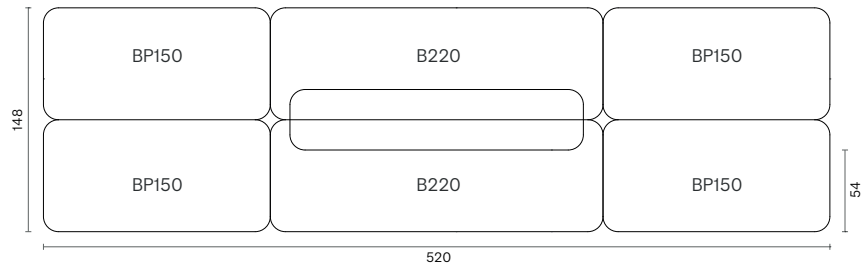
Plan 02



Plan 03



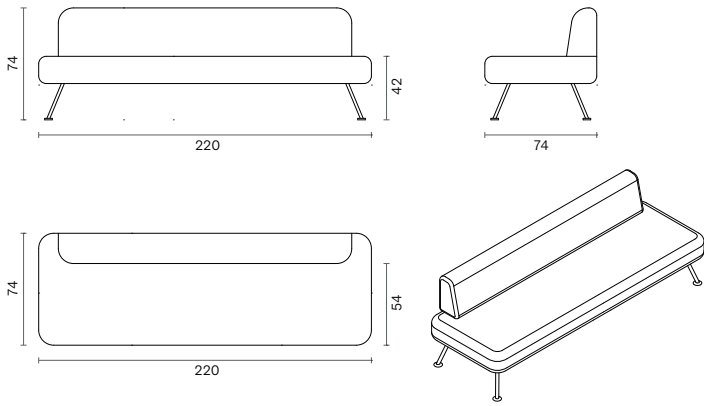
Plan 04



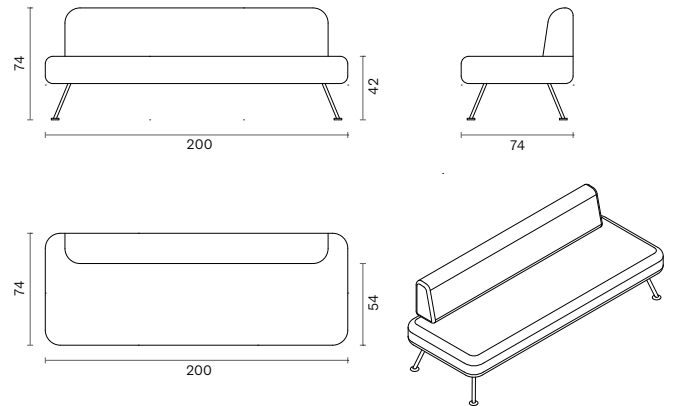
Dimensions (cm)

BOOMERANG SEATING MODULES

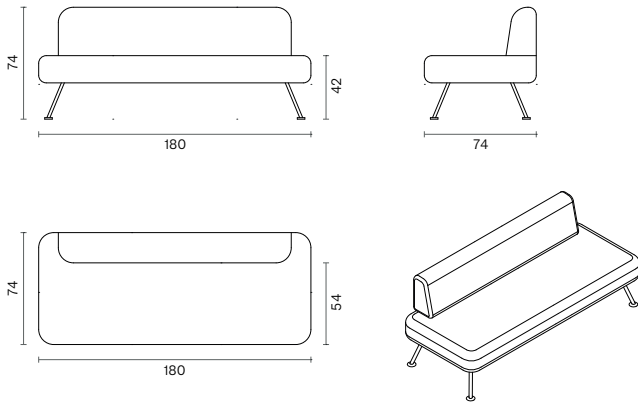
SOFA 220 - B220



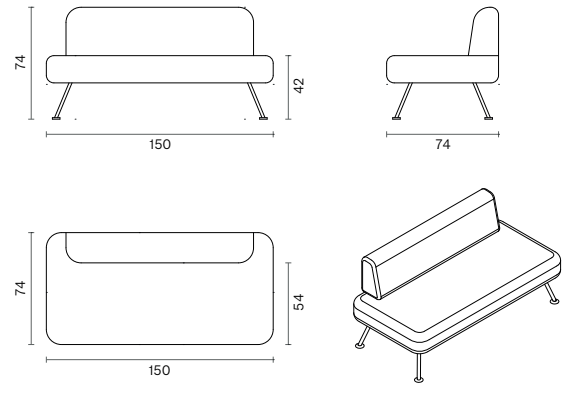
SOFA 200 - B200



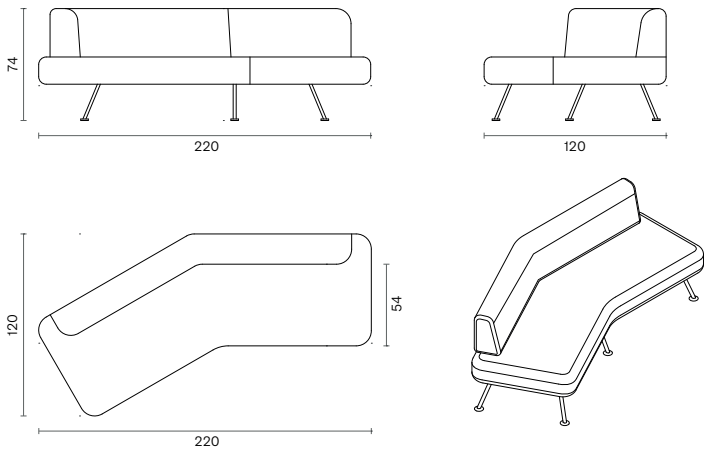
SOFA 180 - B180



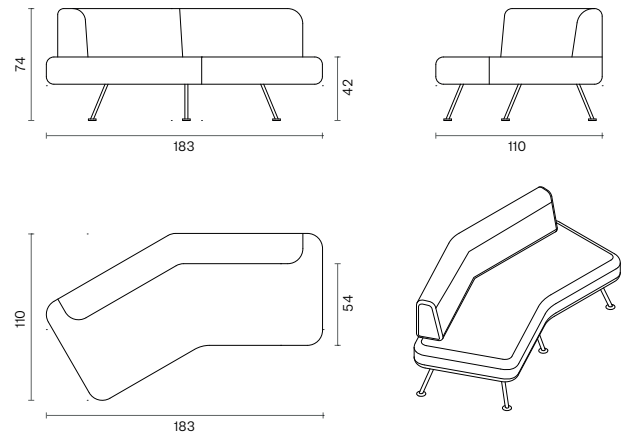
POUF - B150



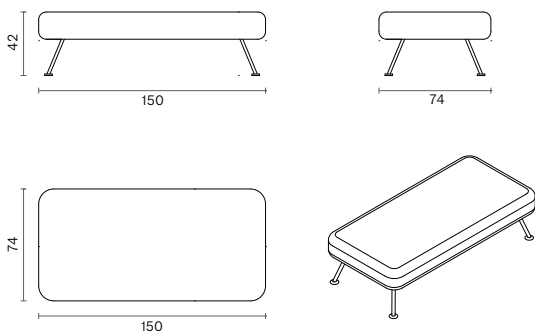
ANGLED SOFA 220 - BC220



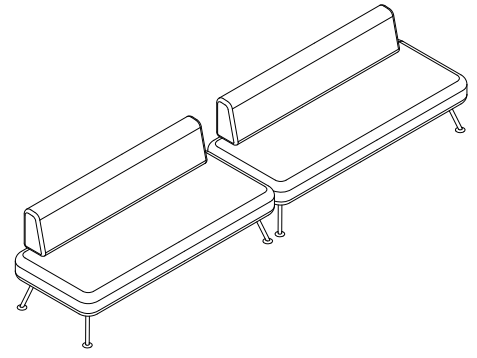
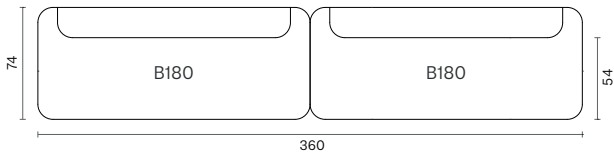
ANGLED SOFA 183 - BC183



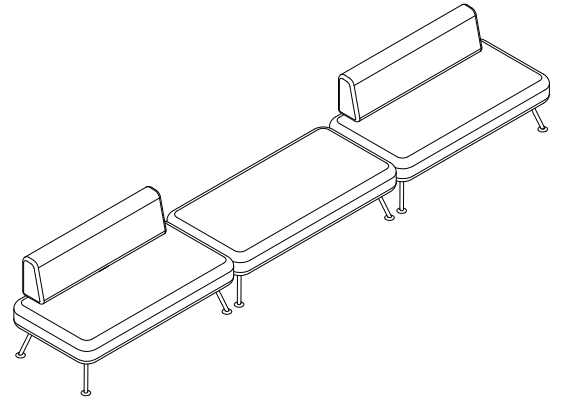
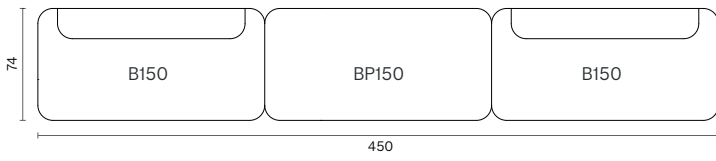
POUF - BP150



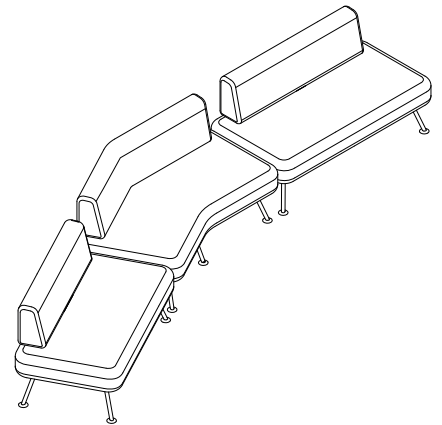
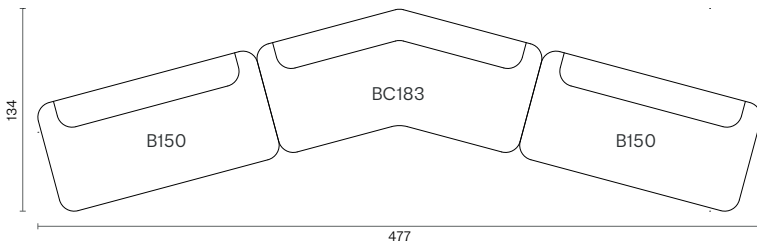
Plan 05



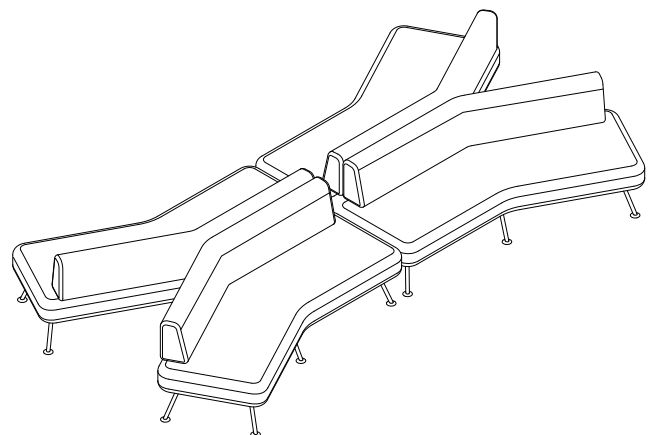
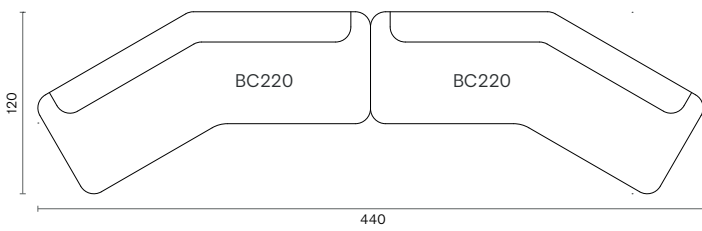
Plan 06



Plan 07




Plan 08



Shipment Details

Cbm (m ³)	Weight (kg)	
1	25	150 cm
1,19	30	180 cm
1,31	35	200 cm
1,44	45	220 cm
1,79	30	Angled 180 cm
2,35	45	Angled 220 cm
0,49	17	Pouf 150 cm
2,00	50	Plan 01
2,98	84	Plan 02
4,76	120	Plan 03
4,84	158	Plan 04
2,38	60	Plan 05
2,49	67	Plan 06
3,79	80	Plan 07
9,40	180	Plan 08

Downloads ↓

CAD files and photos are available at bt.design 

Care and maintenance instructions are available at bt.design 

Warranty

The guarantee policy of B&T Design protects their products in case of any defects regarding manufacturing and materials up to 5 years starting from the date of the invoice. Damages caused by lack of proper maintenance or misuse are not included in this warranty.