

bow 

Mustafa Timur

Bar Stool



bow



Designer: Mustafa Timur **Category:** Bar Stool **Family:** Bar Stool, Table
Environment: Indoor **Country of Production:** Turkey

Product Details

All parts of the seat and legs are produced from beech or ash solid wood. Solid wood legs with plastic glides are connected to the shell by a metal swivel connector.

Materials

Leg Materials

Wood Seat and Leg Finishes: Natural Ash Wood, Black Ash Wood, Walnut Beech Wood

Metal Swivel Connector Finishes: Electrostatic Powder Coating Colors

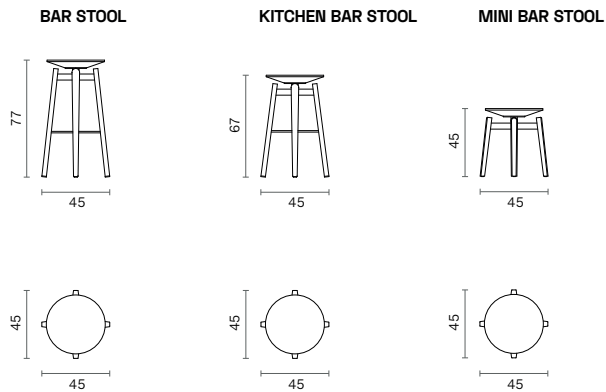
Click to view the fabric and material catalogues via bt.design:

[B&T Fabric Catalogues](#)

[B&T Material Catalogues](#)



Dimensions (cm)



Shipment Details

	Kitchen	Bar	Mini
Cbm (m ³)	0,21	0,21	0,13
Weight (kg)	9	9	6,5

Downloads ↓

CAD files and photos are available at bt.design [↗](#)

Care and maintenance instructions are available at bt.design [↗](#)

Warranty

The guarantee policy of B&T Design protects their products in case of any defects regarding manufacturing and materials up to 5 years starting from the date of the invoice. Damages caused by lack of proper maintenance or misuse are not included in this warranty.