

**B&T**

**dual** 

B&T Design Team

Sofa





Designer: B&T Design Team Category: Sofa-Bed Environment: Indoor  
Country of Production: Turkey Packaging: Assembled

## Product Details

Beech hardwood frame structure is supported by plywood and MDF panels. The elastic column is used for the seat. Seat and back foam is 32 density soft PU foam and backrest cushions are filled with polyester fiber balls. Silicon fiber sheet is used before upholstery to give more comfort. Italian LOIUDICE sofa-bed mechanisms are used in this sofa.

## Leg Alternatives

Ø36mm metal pipe legs

## Materials

### Upholstery

Fabric, Artificial Leather. COM and COL options are also available.

	Single	Double
textile fabric yardage (mt)	10	11

## Leg Materials

**Metal Leg Finishes:** Chrome, Electrostatic Powder Coating Colors

Click to view the fabric and material catalogues via [bt.design](#):

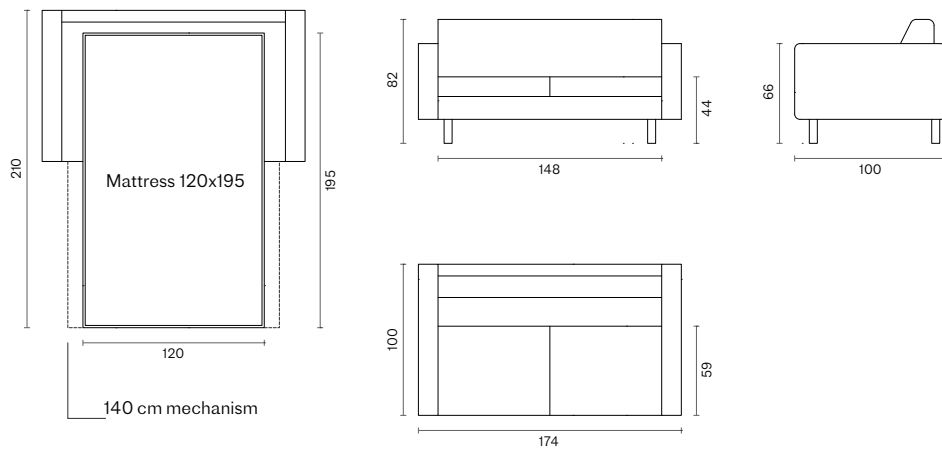
[B&T Fabric Catalogues](#)

[B&T Material Catalogues](#)

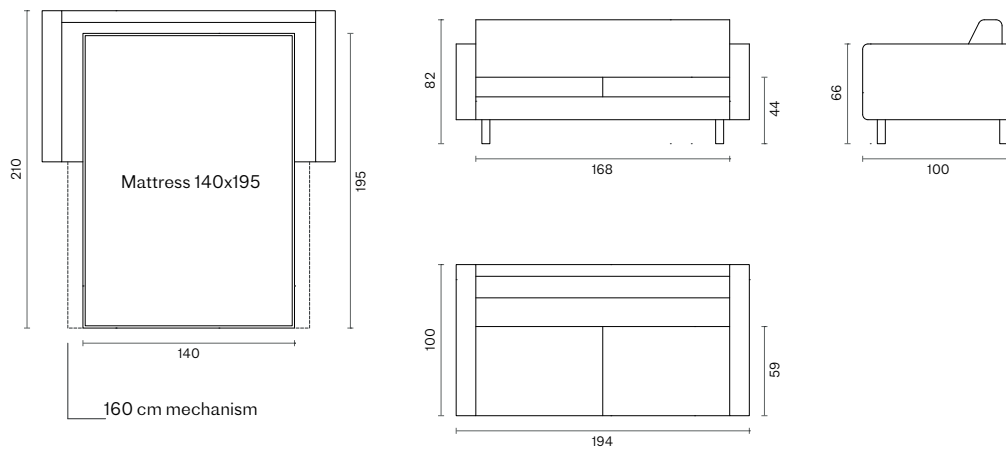


# Dimensions (cm)

**SOFA-BED 174**



**SOFA-BED 194**





Mattress thickness is between 11-13 cm

## Shipment Details

	Single	Double
Cbm (m <sup>3</sup> )	0,65	1,10
Weight (kg)	25	35

## Downloads ↓

CAD files and photos are available at [bt.design](https://bt.design) 

Care and maintenance instructions are available at [bt.design](https://bt.design) 

## Warranty

B&T Design guarantees their products against any manufacturing and materials defect up to a period of 5 years from the date of the invoice. All damages caused by misuse, accident as well as those having their cause on the lack of proper maintenance are excluded from this warranty.