

glee 

**B&T**

B&T Design Team

Bar Stool





Designer: B&T Design Team Category: Bar Stool  
Environment: Indoor Country of Production: Turkey

## Product Details

All parts of the seat and legs are produced from beech or ash solid wood. Having two height options as a kitchen stool and a bar stool, Glee series has a refined style involving basic lines. The round seat and legs composed fully of solid wood are situated as a reflection of nature in the space. Thickness of the triangular oval cut legs gradually extend as they rise from the ground. The four feet merging underneath the seat, reflect an elegant and confident stance with these nuances in the design.

### Leg

Plastic glides are used under the leg.

## Materials

### Solid Wood Finishes

Natural Ash Wood, Black Ash Wood, Walnut Beech Wood

### Metal Part Finishes

Electrostatic Powder Coating Colors

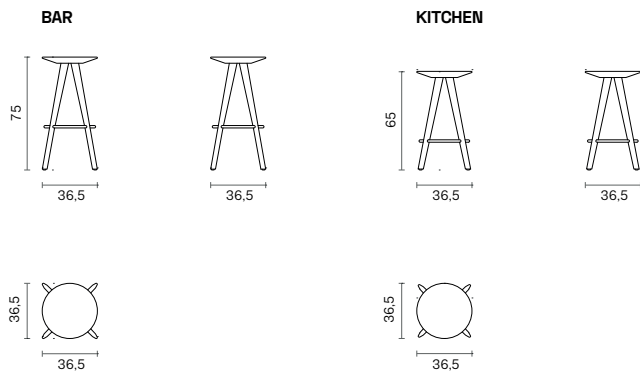
Click to view the fabric and material catalogues via [bt.design](https://bt.design):

[B&T Fabric Catalogues](#)

[B&T Material Catalogues](#)



## Dimensions (cm)



## Downloads ↓

CAD files and photos are available at [bt.design](https://bt.design) [↗](#)

Care and maintenance instructions are available at [bt.design](https://bt.design) [↗](#)

## Warranty

The guarantee policy of B&T Design protects their products in case of any defects regarding manufacturing and materials up to 5 years starting from the date of the invoice. Damages caused by lack of proper maintenance or misuse are not included in this warranty.