

B&T Design Team

Co-Seating&Co-Working





Designer: B&T Design Team Category: Co-Seating&Co-Working
Environment: Indoor Country of Production: Turkey

Product Details

Back and seat as one-piece construction is made of polyurethane foam injection, molded over a metal frame which is supported by steel springs. This gives consistent shape quality and structural longevity. Plastic glides are used.

Materials

Upholstery

Fabric, Leather, Artificial Leather. COM and COL options are also available.

	120cm With Back	120cm W/O Back	180cm With Back	180cm W/O Back
textile fabric yardage (mt)	2,9	1,6	4,05	1,9
real leather square meter(m ²)	9	3,5	9,5	4

Click to view the fabric and material catalogues via bt.design:

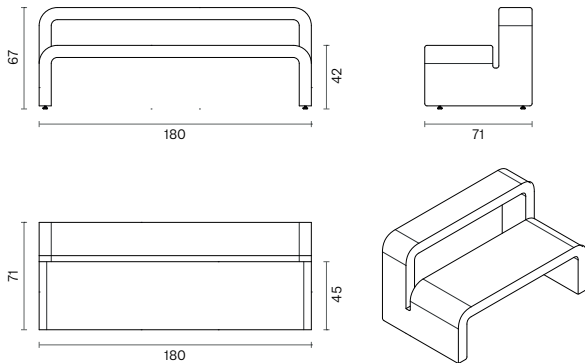
[B&T Fabric Catalogues](#)

[B&T Material Catalogues](#)

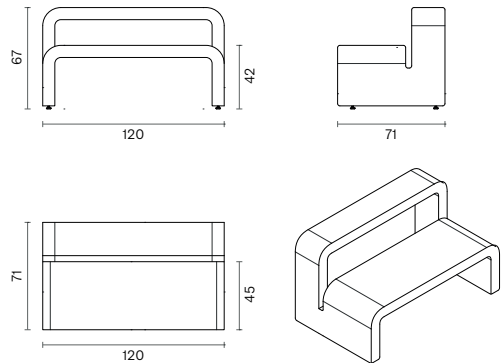


Dimensions (cm)

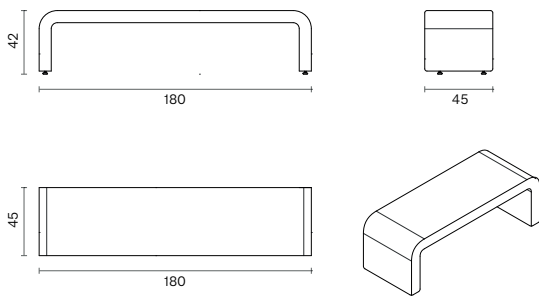
BENCH WITH BACK 180 - M180B



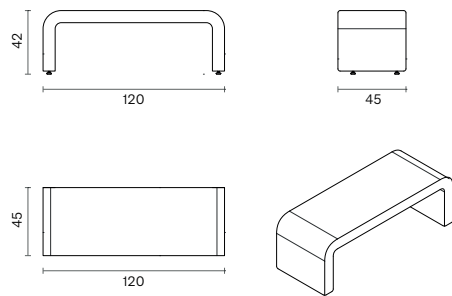
BENCH WITH BACK 120 - M120B



BENCH WITHOUT BACK 180 - M180

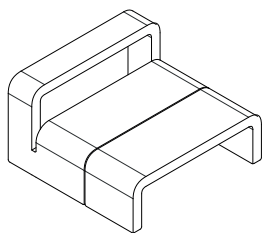
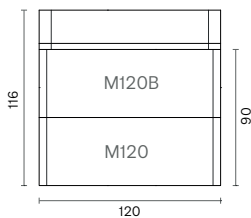


BENCH WITHOUT BACK 120 - M120

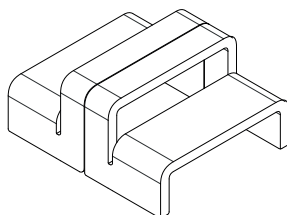
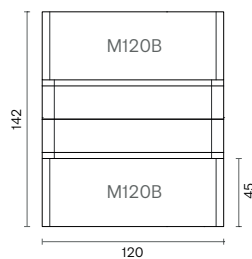


MOBY CONFIGURATIONS

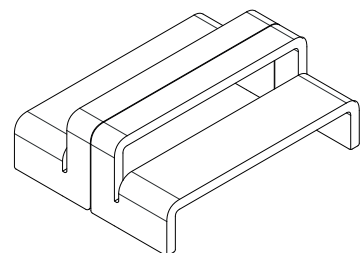
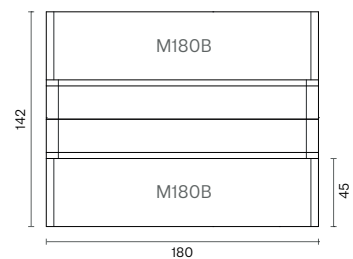
Plan 01



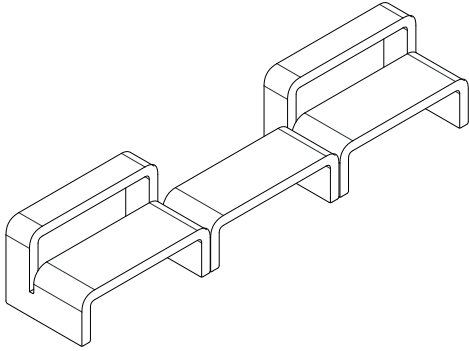
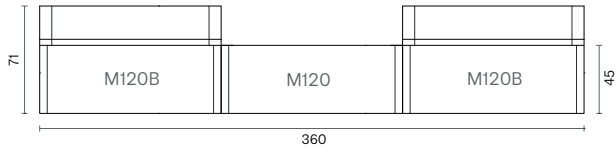
Plan 02



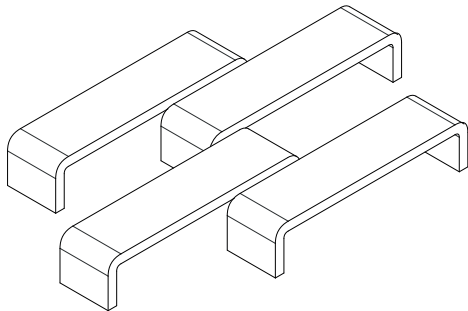
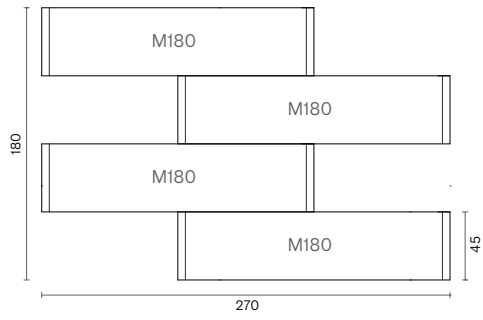
Plan 03



Plan 04




Plan 05




Shipment Details

	120cm With Back	120cm W/O Back	120cm With Back	120cm W/O Back
Cbm (m ³)	0,61	0,73	1	0,93
Weight (kg)	18	24	22	28

Downloads ↓

CAD files and photos are available at bt.design 

Care and maintenance instructions are available at bt.design 

Warranty

The guarantee policy of B&T Design protects their products in case of any defects regarding manufacturing and materials up to 5 years starting from the date of the invoice. Damages caused by lack of proper maintenance or misuse are not included in this warranty.