

pick 

Mustafa Timur

Sofa



pick



Designer: Mustafa Timur **Category:** Sofa **Family:** Sofa, Pouf
Environment: Indoor **Country of Production:** Turkey

Product Details

Beech hardwood frame structure is supported by plywood and MDF panels. The elastic column is used for the seat. Seat and CNC cut back foam is 32 density soft PU foam. Silicon fiber sheet is used before upholstery to give more comfort.

Base

Metal legs with plastic glides.


Materials

Upholstery

Fabric, Leather, Artificial Leather. COM and COL options are also available.

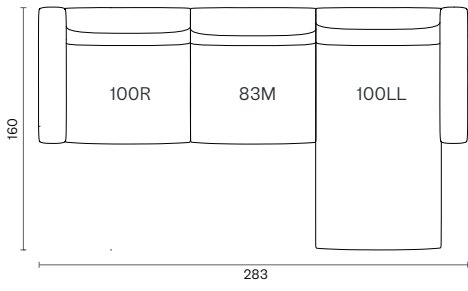
Click to view the fabric and material catalogues via [bt.design](#):

[B&T Fabric Catalogues](#) 

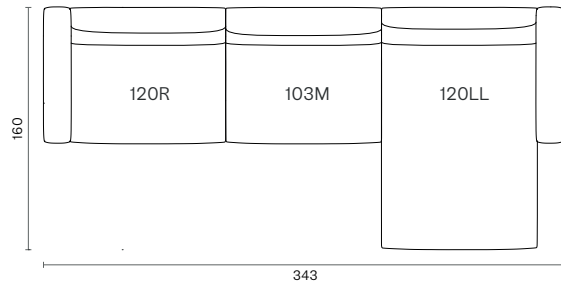
[B&T Material Catalogues](#) 



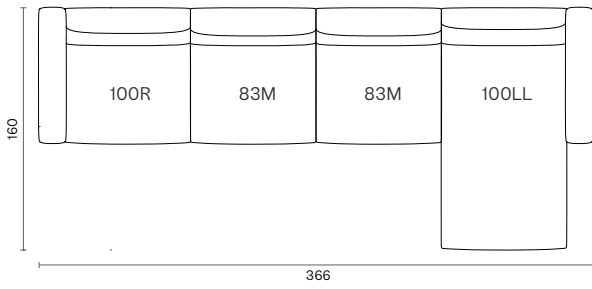
Plan 09



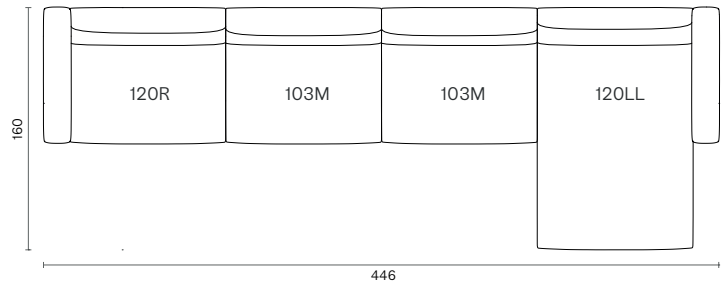
Plan 10



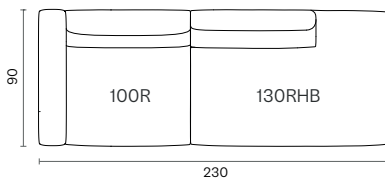
Plan 11



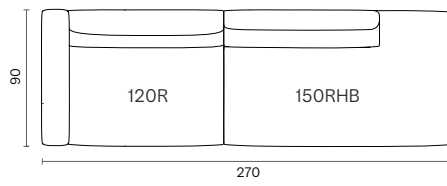
Plan 12



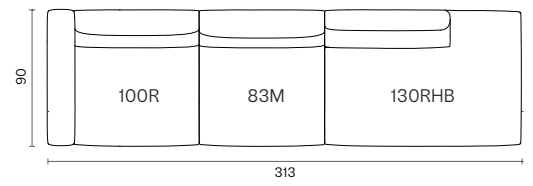
Plan 13



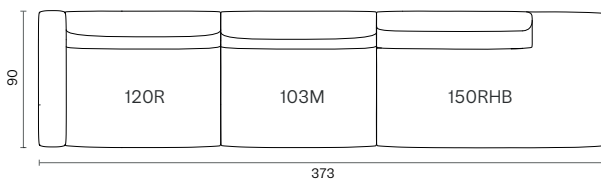
Plan 14



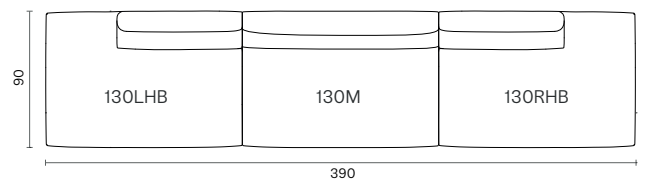
Plan 15



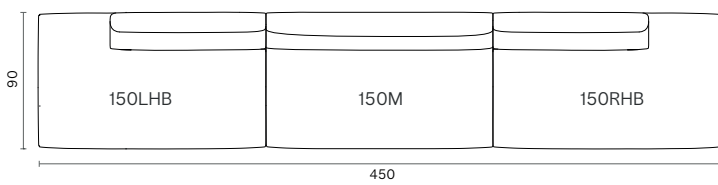
Plan 16



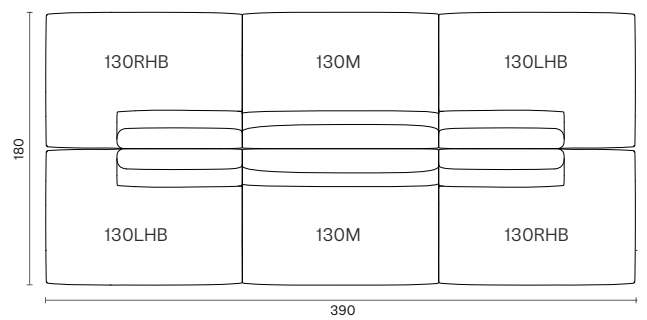
Plan 17



Plan 18



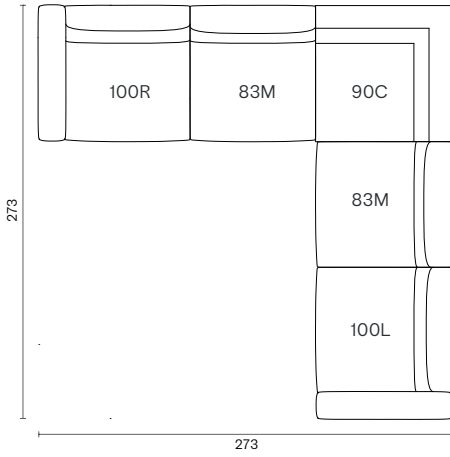
Plan 19



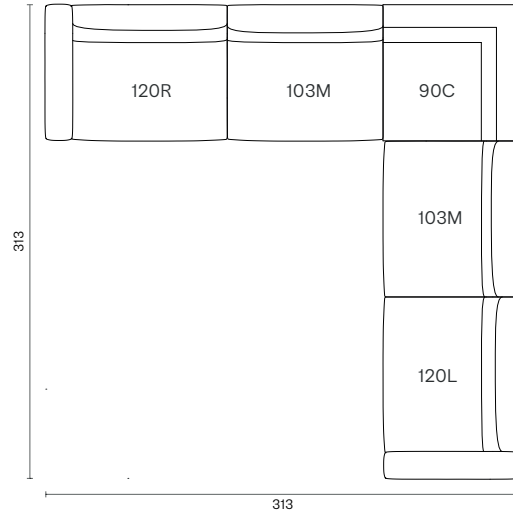
Shipment Details

Cbm (m3)	Weight (kg)	
0,91	18	Pick Armchair
0,78	17	100R
0,78	17	100R
0,63	18	80M
0,7	18	90C
0,93	19	120R
0,93	19	120R
0,78	18	100M
1	19	130LHB
1	19	130RHB
1	18	130M
1,15	18	150LHB
1,15	18	150RHB
1,15	18	150M
1,35	35	100LL
1,35	35	100RL
1,61	45	120LL
1,61	45	100RL
0,32	15	Pouf 90x90 cm
0,47	16	Pouf 72x166 cm
1,58	36	200 cm
1,85	40	240 cm
2,15	44	280 cm
2,59	50	340 cm
3,52	84	Plan 01
4,12	92	Plan 02
4,15	100	Plan 03
4,9	110	Plan 04
3,11	70	Plan 05
3,58	73	Plan 06
3,74	80	Plan 07
4,34	81	Plan 08
2,76	68	Plan 09
3,32	82	Plan 10
3,39	84	Plan 11
4,1	100	Plan 12
1,70	36	Plan 13
2,08	37	Plan 14
2,41	52	Plan 15
2,85	55	Plan 16
3	56	Plan 17
3,45	54	Plan 18
6	112	Plan 19
5,4	110	Plan 20
6	108	Plan 21
6,9	108	Plan 22
2,7	56	Plan 23
3	54	Plan 24
10,8	224	Plan 25

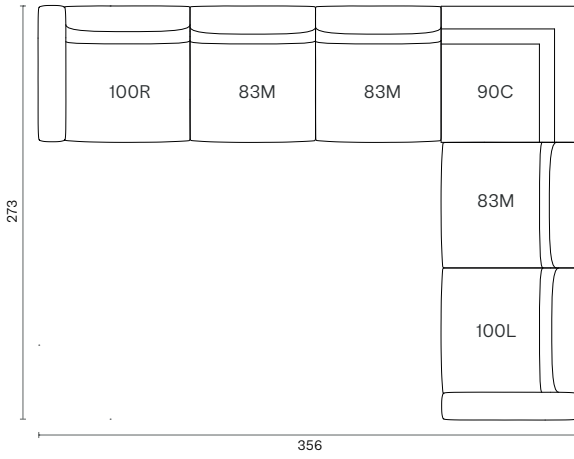
Plan 01



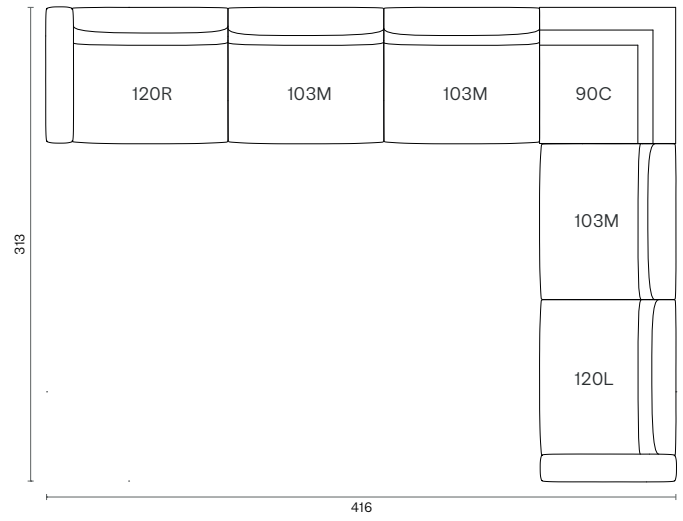
Plan 02



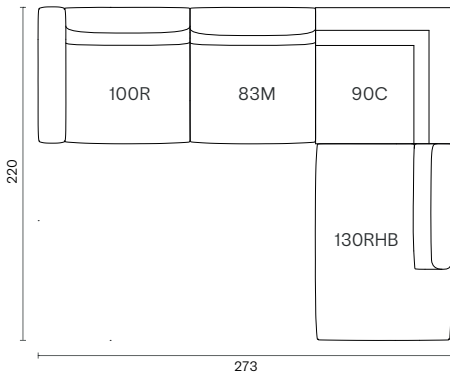
Plan 03



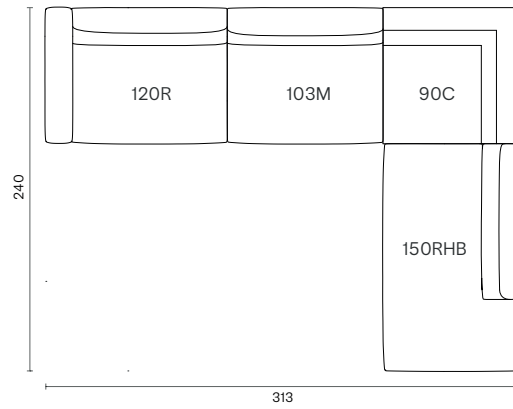
Plan 04



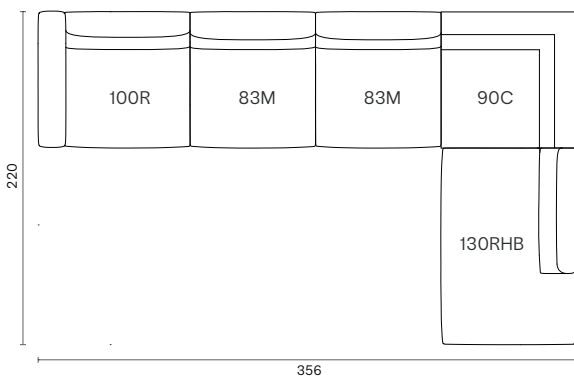
Plan 05



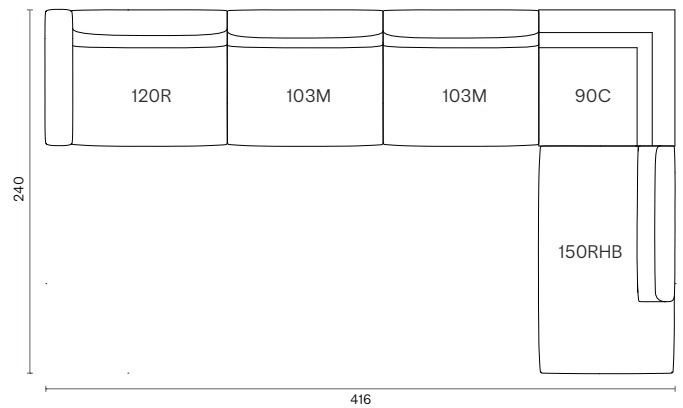
Plan 06



Plan 07

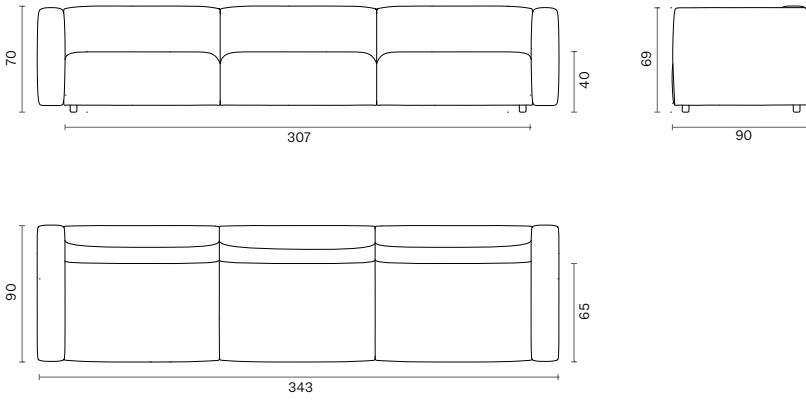


Plan 08

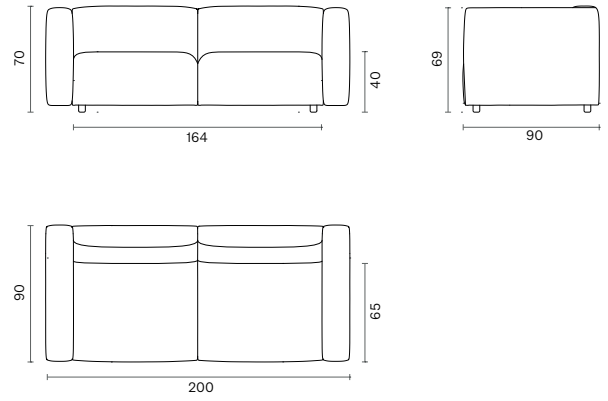


Dimensions (cm)

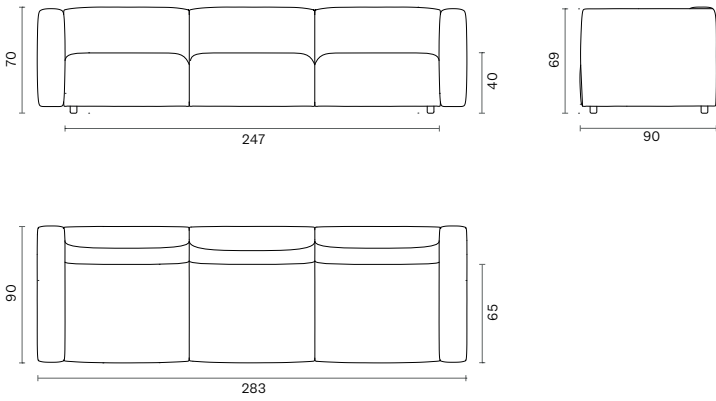
TRIPLE 343



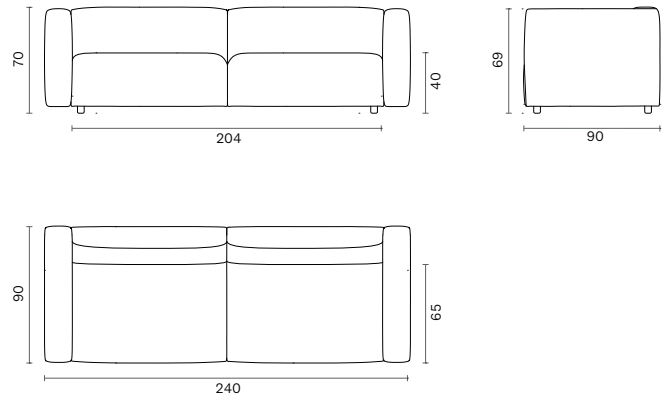
DOUBLE 200



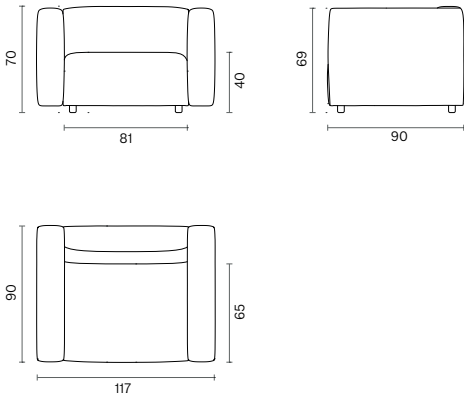
TRIPLE 283



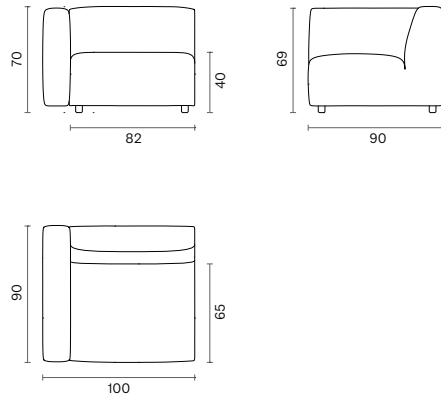
DOUBLE 240



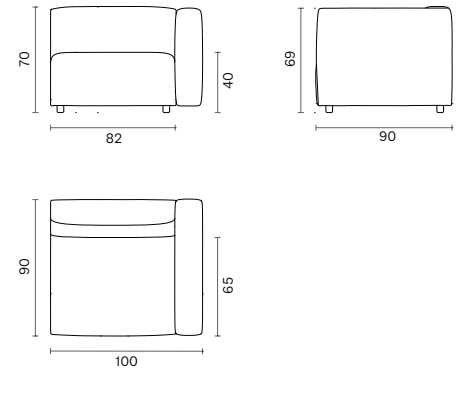
SINGLE



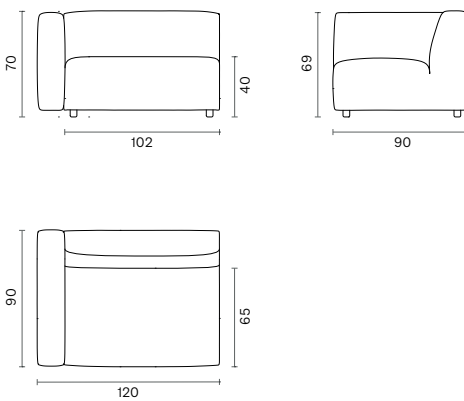
100 RIGHT ARM - 100R



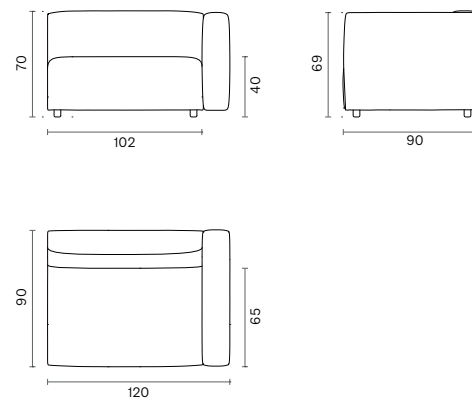
100 LEFT ARM - 100L



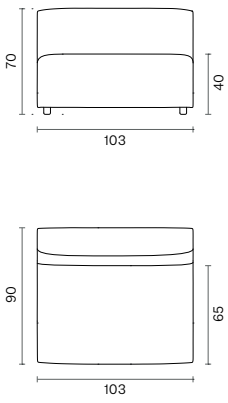
120 RIGHT ARM - 120R



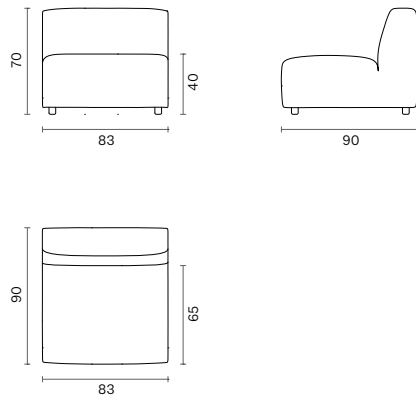
120 LEFT ARM - 120L



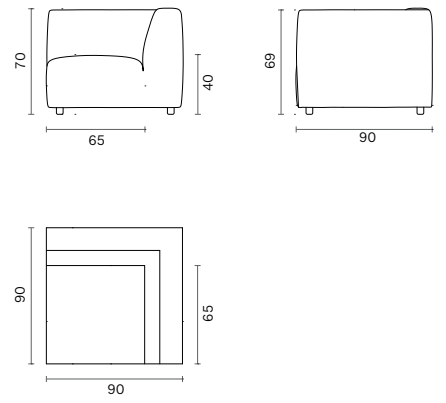
103 MID - 103M



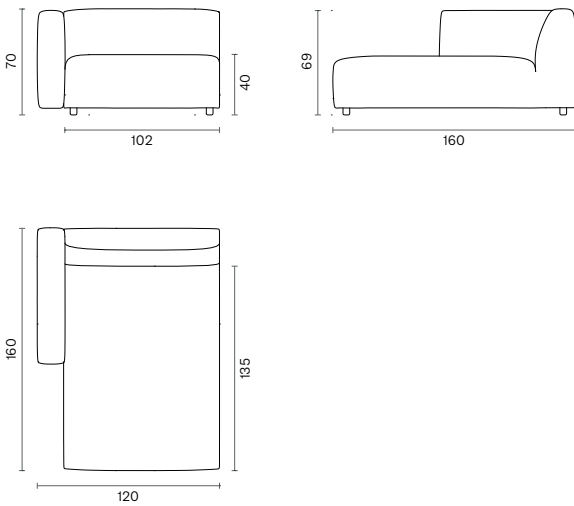
83 MID - 83M



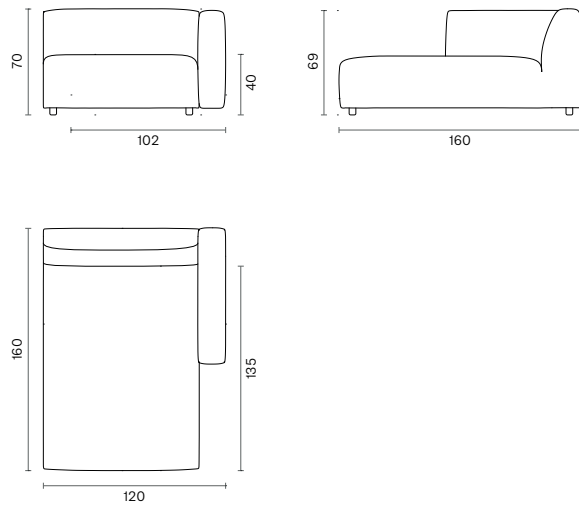
90 CORNER - 90C



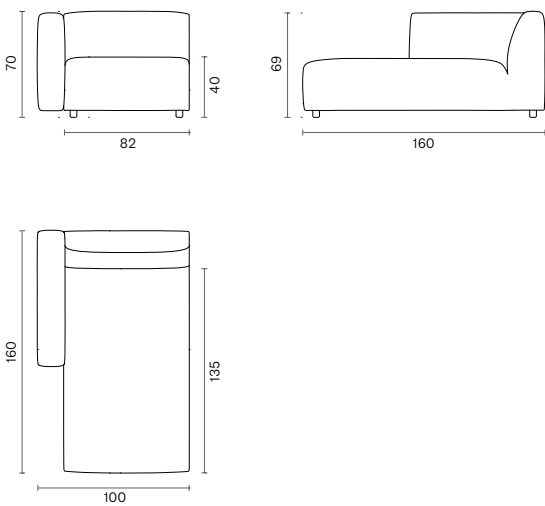
120 RIGHT LOUNGE - 120RL



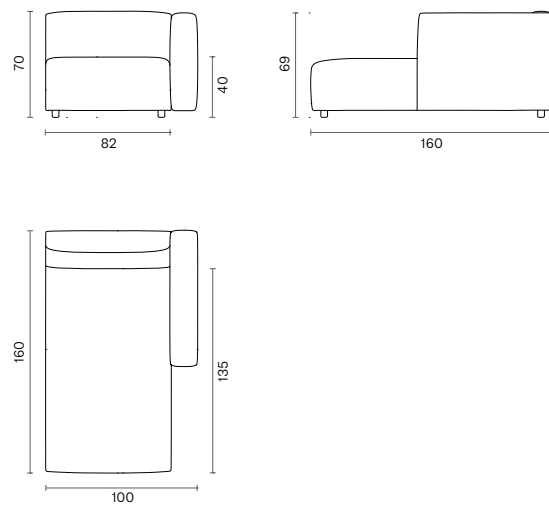
120 LEFT LOUNGE - 120LL



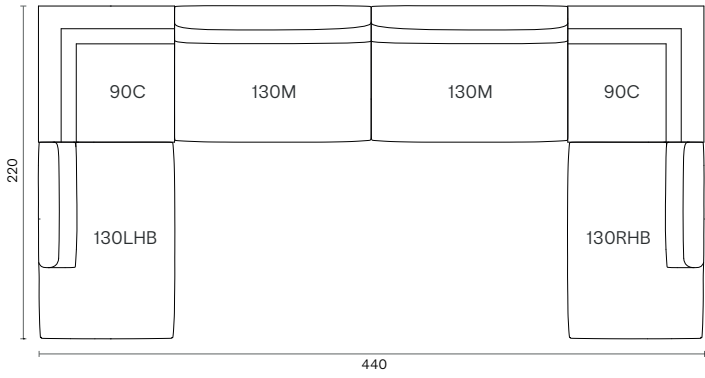
100 RIGHT LOUNGE - 100RL



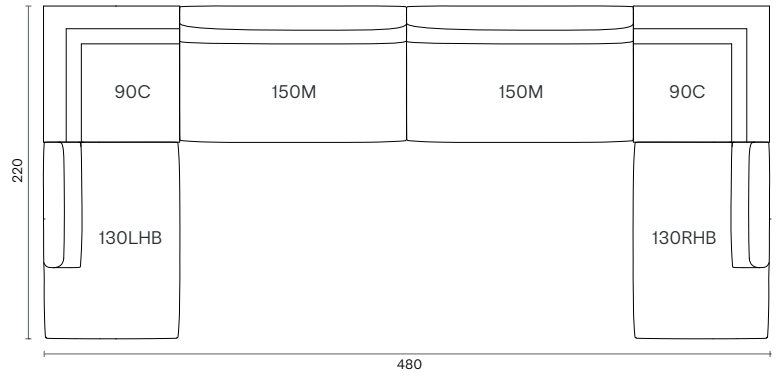
100 LEFT LOUNGE - 100LL



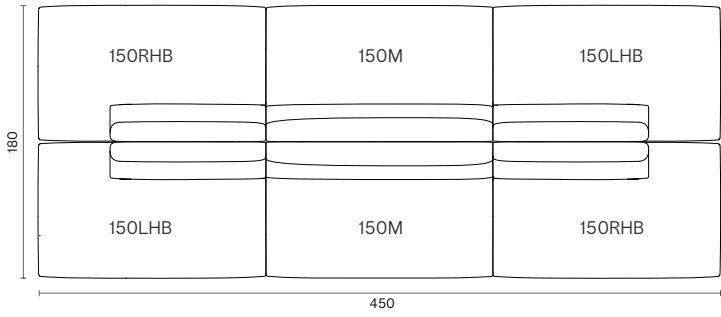
Plan 20



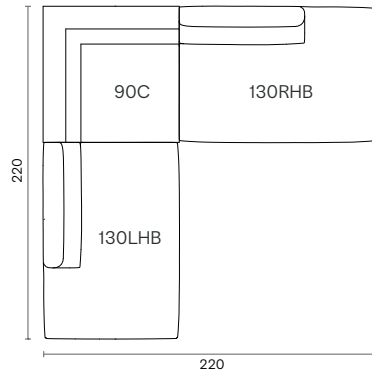
Plan 21



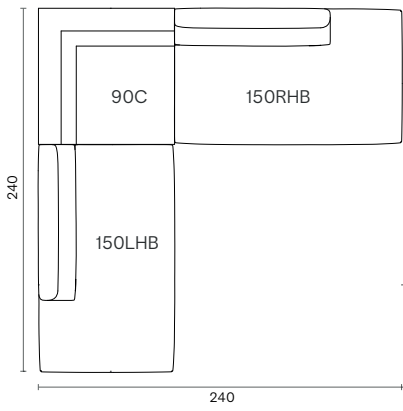
Plan 22



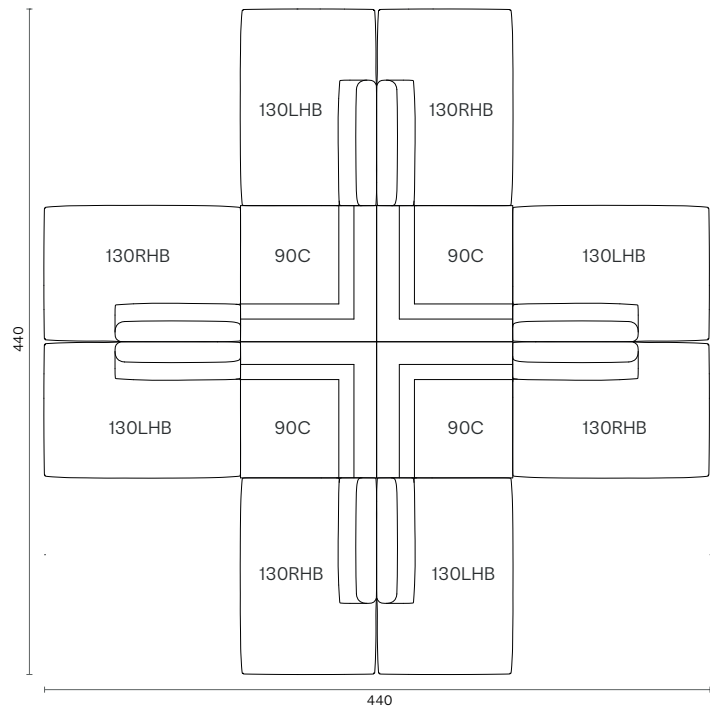
Plan 23



Plan 24




Plan 25



textile fabric yardage (mt)	real leather square meter(m ²)	
7	10	Pick Armchair
6	8,5	100R
6	8,5	100R
5	7	80M
6	8,5	90C
7	10	120R
7	10	120R
5,5	7,5	100M
8	11,5	130LHB
8	11,5	130RHB
6	8,5	130M
8,5	12	150LHB
8,5	12	150RHB
7	10	150M
9	13	100LL
9	13	100RL
9,5	14	120LL
9,5	14	100RL
2,5	4	Pouf 90x90 cm
3	5	Pouf 72x166 cm
12	17	200 cm
14	20	240 cm
17	24	280 cm
19,5	27,5	340 cm
28	39,5	Plan 01
31	43,5	Plan 02
33	46,5	Plan 03
36,5	51	Plan 04
25	35,5	Plan 05
27	38	Plan 06
30	42,5	Plan 07
32,5	45,5	Plan 08
20	28,5	Plan 09
22	31,5	Plan 10
25	35,5	Plan 11
27,5	39	Plan 12
14	20	Plan 13
15,5	22	Plan 14
19	27	Plan 15
21	29,5	Plan 16
22	31,5	Plan 17
24	34	Plan 18
44	63	Plan 19
40	57	Plan 20
43	61	Plan 21
48	68	Plan 22
22	31,5	Plan 23
23	32,5	Plan 24
88	126	Plan 25

Downloads ↓

CAD files and photos are available at bt.design 

Care and maintenance instructions are available at bt.design 

Warranty

The guarantee policy of B&T Design protects their products in case of any defects regarding manufacturing and materials up to 5 years starting from the date of the invoice. Damages caused by lack of proper maintenance or misuse are not included in this warranty.