

round xs 

Alp Nuhoglu

Armchair



round xs

Designer: Alp Nuhođlu Category: Armchair
Environment: Indoor Country of Production: Turkey

Product Details

Back and seat as one-piece construction is made of polyurethane foam injection, molded over a metal frame which is supported by steel springs. This gives consistent shape quality and structural longevity.

Arm

Without arm

Leg

Swivel tubular profile 4 star metal leg

Materials

Upholstery

Fabric, Leather, Artificial Leather. COM and COL options are also available.


textile fabric yardage (mt)	2,4
real leather square meter(m ²)	3,6

Leg Materials

Metal Leg Finishes: Chrome, Electrostatic Powder Coating Colors

Click to view the fabric and material catalogues via bt.design:

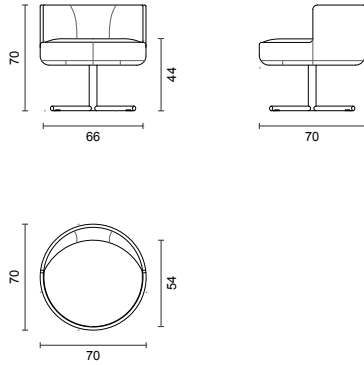
[B&T Fabric Catalogues](#) 

[B&T Material Catalogues](#) 



Dimensions (cm)

SWIVEL BASE



Shipment Details

Cbm (m ³)	0,42
Weight (kg)	18

Downloads ↓

CAD files and photos are available at bt.design [↗](#)

Care and maintenance instructions are available at bt.design [↗](#)

Warranty

The guarantee policy of B&T Design protects their products in case of any defects regarding manufacturing and materials up to 5 years starting from the date of the invoice. Damages caused by lack of proper maintenance or misuse are not included in this warranty.