





Designer: Tanju Özelgin Category: Occasional Table
Environment: Indoor Country of Production: Turkey

Tabletop Materials

1mm sheet metal is used. After the round-cut, the sheet is pressed in mold to make an angular border.

Metal Tray Finishes: Electrostatic Powder Coating Colors, Decorative Coatings

Base Materials

Ø16mm tubular metal profile is used for fixing the base to the tabletop. Beech hardwood is used to make a "+" shaped base.

Metal Leg Finishes: Chrome, Electrostatic Powder Coating Colors

Wood Base Finishes: Natural Ayouş Wood, Black Ash Wood, Walnut Beech Wood

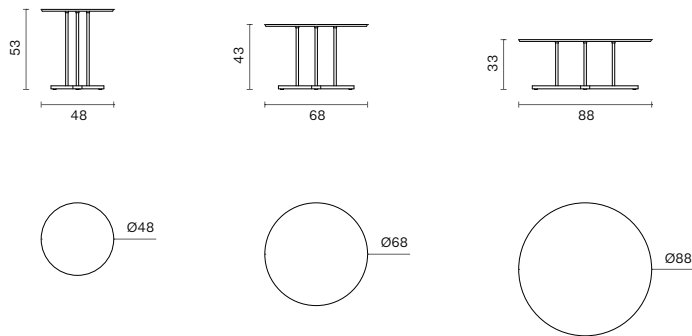
Click to view the fabric and material catalogues via bt.design:

[B&T Fabric Catalogues](#)

[B&T Material Catalogues](#)



Dimensions (cm)



Shipment Details

	Ø48x53H	Ø68x43H	Ø88x33H
Cbm (m ³)	0,05	0,08	0,13
Weight (kg)	8	10	14

Downloads ↓

CAD files and photos are available at bt.design [↗](#)

Care and maintenance instructions are available at bt.design [↗](#)

Warranty

The guarantee policy of B&T Design protects their products in case of any defects regarding manufacturing and materials up to 5 years starting from the date of the invoice. Damages caused by lack of proper maintenance or misuse are not included in this warranty.