

slot 

B&T Design Team

Occasional Table





Designer: B&T Design Team Category: Occasional Table
Environment: Indoor Country of Production: Turkey

Tabletop Materials

Veneer Tabletop: 30mm MDF pressed with veneer. It is varnished by matte polyurethane lac. Tabletop is fixed to the legs with screws.

Veneer Options: Walnut Veneer, Natural Ash Wood Veneer, Black Ash Wood Veneer

Lacquer Tabletop: After the edge cutting of 30mm MDF it is covered with polyurethane primer filler and sandpapered. After having a flat and smooth surface, polyurethane matte painting is applied and left for chemical hardening. Tabletop is fixed to the legs with screws.

Lacquer Options: Matte White, Matte Black, Matte Beige (RAL 1019)

Laminate Tabletop: 30mm laminate is used. 1mm PVC edge band is used. Tabletop is fixed to the legs with screws.

Laminate Options: See material catalogue for the laminate options.


Base Materials

Ø48mm metal tube profile is fixed to the base Ø27mm tubular metal profiles are welded cross. Plastic glides are available.

Metal Leg Finishes: Chrome, Electrostatic Powder Coating Colors

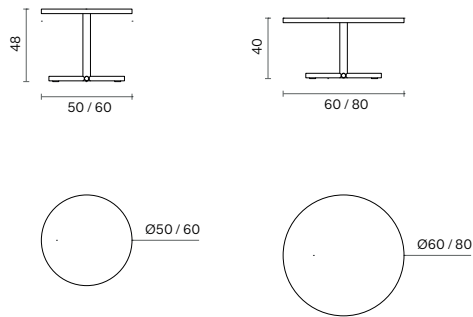
Click to view the fabric and material catalogues via [bt.design](#):

[B&T Fabric Catalogues](#) 

[B&T Material Catalogues](#) 



Dimensions (cm)



Shipment Details

	Ø80x40H	Ø60x40H	Ø60x48H	Ø50x48H
Cbm (m ³)	0,37	0,22	0,26	0,16
Weight (kg)	15	13	13	13

Downloads ↓

CAD files and photos are available at bt.design [↗](#)

Care and maintenance instructions are available at bt.design [↗](#)

Warranty

The guarantee policy of B&T Design protects their products in case of any defects regarding manufacturing and materials up to 5 years starting from the date of the invoice. Damages caused by lack of proper maintenance or misuse are not included in this warranty.