

slot

B&T Design Team



Table



Designer: B&T Design Team Category: Table Family: Table, Coffee Table
Environment: Indoor Country of Production: Turkey

Tabletop Materials

Veneer Tabletop

30mm MDF pressed with veneer. It is varnished by matte polyurethane lac. 1mm edge bands is used. Tabletop is fixed to the legs with screws.

Veneer Options

Walnut Veneer, Natural Ash Wood Veneer, Black Ash Wood Veneer

Lacquer Tabletop

30mm MDF is covered with polyurethane primer filler and sandpapered. After having a flat and smooth surface, polyurethane matte painting is applied and left for chemical hardening. Tabletop is fixed to the legs with screws.

Lacquer Options

Matte White, Matte Black, Matte Beige (RAL 1019)

Laminate Tabletop

30mm laminate is used. 1mm PVC edge band is used. Tabletop is fixed to the legs with screws.

Laminate Options

See material catalogue for the laminate options.

Glass Tabletop

10mm tempered glass is used. Round metal flange is glued under the glass top. The leg is connected to the top by the metal flange.

Glass Options

Clear, Smoky, Black Painted, White Painted, Sandy Clear

Acrylic Solid Tabletop

12mm standard white corian is used. Panel is double layered on the edges in order to make the table top seem as 24mm. Tabletop is fixed to the legs with screws.

Acrylic Options

BAS 208 P-White

(Not available for 120x120x75h, Ø120x75h, 100x100x75h, Ø100x75h, 90x90x75h, Ø90x75h, 80x80x75h, Ø80x75h)

Base Materials

Metal tube profile is fixed to the plus shape connected Ø32mm metal profile tube. Plastic glide is used under the leg.

Metal Leg Finishes: : Chrome, Electrostatic Powder Coating Colors

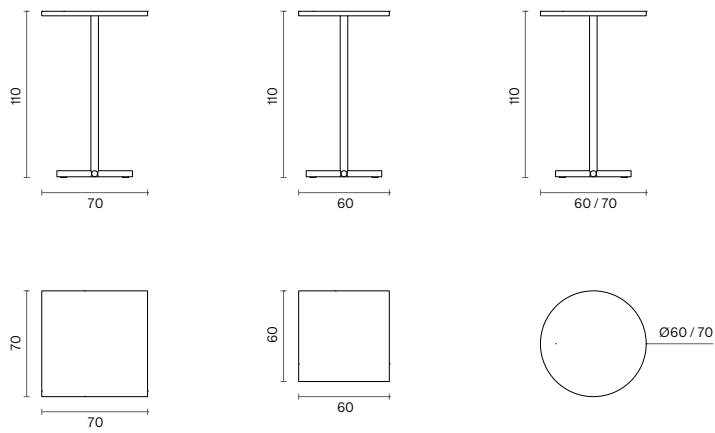
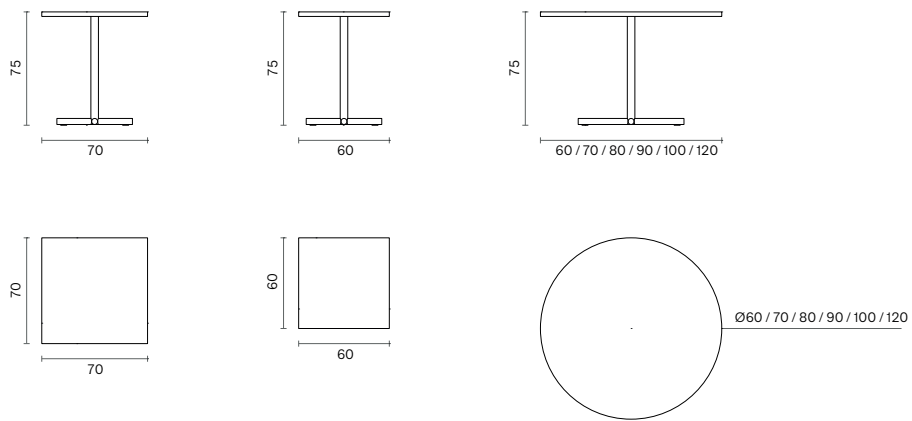
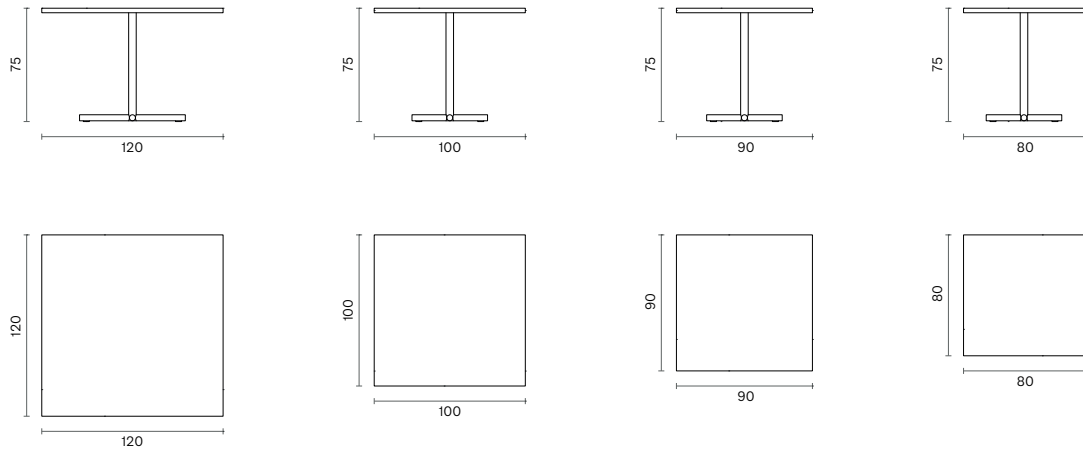
Click to view the fabric and material catalogues via bt.design:

[B&T Fabric Catalogues](#)

[B&T Material Catalogues](#)



Dimensions (cm)




Shipment Details

Cbm (m ³)	Weight (kg)	
0,95	60	240x120x74H
0,81	51	220x110x74H
0,55	45	180x90x74H
0,85	48	Ø160X74H
0,75	42	Ø150x74H
0,66	36	Ø140x74H
0,49	32	Ø120X74H
0,35	30	Ø100X74H

Downloads ↓

CAD files and photos are available at bt.design 

Care and maintenance instructions are available at bt.design 

Warranty

The guarantee policy of B&T Design protects their products in case of any defects regarding manufacturing and materials up to 5 years starting from the date of the invoice. Damages caused by lack of proper maintenance or misuse are not included in this warranty.