

AURA chair family



QUALITY STANDARD

- LST EN 1335-1:2000
- LST EN 1335-1:2000 including correction
- LST EN 1335-1:2000/AC:2003
- LST EN 1335-2:2009
- LST EN 1335-3:2009 including correction
- LST EN 1335-3:2009/AC:2009

TECHNICAL INFORMATION

Types

- Executive, task and visitor & conference chairs.

Seat

- Depth adjustable (50 mm run range);
- Lower part (inner and outer) made of PP (polypropylene);
- Foam made of polyurethane;
- CFC free (NO chlorofluorocarbon).

Back

- Height adjustable (60 mm run range), 6 locking positions;
- Frame (outer and inner) made of PP (polypropylene);
- Foam made of polyurethane;
- CFC free (NO chlorofluorocarbon);
- Clips fixing system.

Armrests

- Fixed black plastic armrests;
- 2D (two directions) height adjustable armrests. Upper part coated with a PU (polyurethane) pad, soft touch, the lower part is made of black plastic. The top of armrests moving forward or backward;
- 2D (two directions) height adjustable armrests. Upper part coated with a PU (polyurethane) pad, soft touch, the lower part is made of polished aluminium. The top of armrests moving forward or backward.

Mechanism

- Synchronized mechanism with anti-shock function;
- Backrest tilt angle adjustment with 5 locking positions;
- Handwheel adjustment.

Gas lift

- Chromed or black colour;
- 130 mm run range.

Bases

- Five-star polished aluminium or black PA (polyamide) with fiberglass base. External Ø700 mm;
- Four-legged reinforced steel chromed frame, Ø25 mm;
- Four legged with 4 wheels reinforced steel chromed frame, Ø25 mm;
- Reinforced steel chromed cantilever frame, Ø25 mm;
- 4-star steel chromed frame with glides.

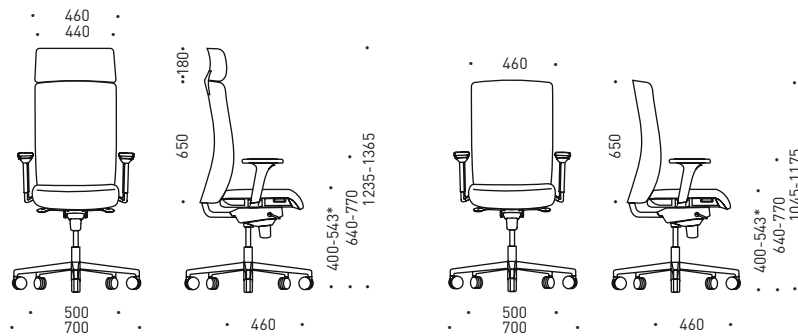
Castors

- Rubber free wheel castors for hard floor, Ø65 mm;
- PA (polyamide) free wheel castors for soft floor, Ø65 mm.

Headrest

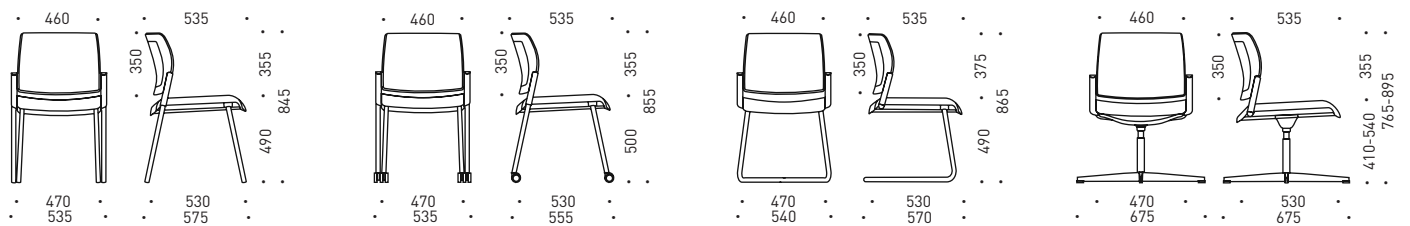
- Fixed, made of polyurethane and upholstered.

RANGE



Executive

Task



Visitor & conference

*Height approved during certification.

GUARANTEE

- 5 years

Optional



Fixed armrests



2D armrests, lower part - plastic



2D armrests, lower part - aluminium