

Bonny

B&T



Bonny

Lounge

Indoor



Bonny

Lounge

Indoor



Bonny

Lounge

Indoor

Bonny

Created as a refined and comfortable alternative for living spaces, Bonny combines simplicity and integrity in its form.





Designed by Alp Nuhoğlu, Bonny armchair is enough to make a space elegant alone. Bonny armchair, designed by Alp Nuhoğlu, is a product that is sufficient to create elegance in the space with its simplicity. The armrests and backrest that generate a solid oval form also visualise the feeling of comfort beyond the experience with this detail. Made of polyurethane, this surface emphasises the sculptural presence and also provides durability for long years of use.

Designer



Alp Nuhođlu

Bonny

Lounge

Indoor



Product Details

Back is made of polyurethane foam injection, molded over a metal frame which is supported by steel springs. This gives consistent shape quality and structural longevity. Beech hardwood frame structure with an elastic column is covered, covered with foam for the seat.



Bonny, contains functional details beneath its elegant design. With its swivel mechanism, the base is offered in metal or wood, easing the user to turn to different angles.



With simplicity at the core of its design, Bonny armchair displays a strong stance in the space with its minimalism. Bonny can take place in a variety of spaces; like homes that focus on refined details in their interior design, private offices, hotel lounges or waiting areas.



Bonny

Lounge

Indoor

Finish Options

A rich range of material choices is provided for Bonny series to create the best match within interior style. All colours in B&T Design's metal coating and wood catalogues are available for metal and wood surfaces of the series.

Metal Finishes

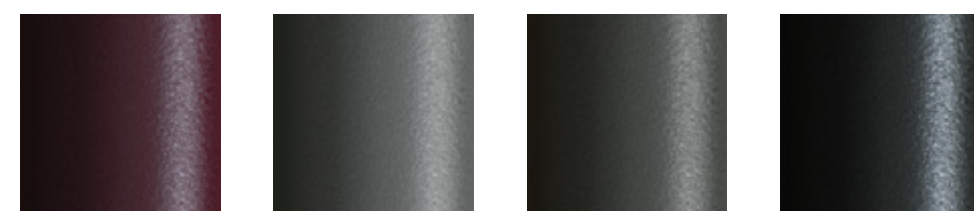
Electrostatic Powder Coating



White RAL 9016 Silk Grey RAL 7044 Precious Sand Taupe G 876 Nordic Lichen



Green Grey RAL 7009 Cement Grey RAL 7033 Beige Red RAL 3012 Terracotta RAL 8004 Pale Brown RAL 8025



Black Red RAL 3007 Grey G 458 Anthracite RAL 7016 Black RAL 9005

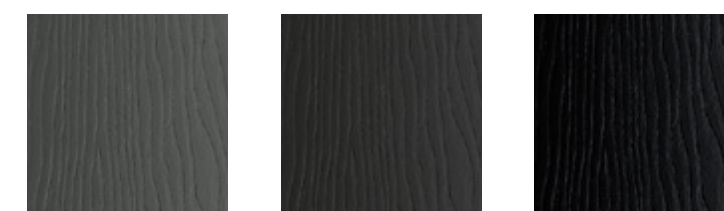
Wood Options



White RAL 110-1 (Ash) Natural (Ash) Silk Grey RAL 7044 (Ash) Taupe G 876 (Ash) Smoke Grey (Ash) Cement Grey RAL 7033 (Ash) Green Grey RAL 7009 (Ash) Nordic Lichen (Ash)



Beige Red RAL 3012 (Ash) Terracotta RAL 8004 (Ash) Precious Sand (Ash) Light Brown (Ash) Pale Brown RAL 8025 (Ash) Dark Brown (Ash) Black Red RAL 3007 (Ash) Walnut (Beech)



Grey G 458 (Ash) Anthracite RAL 7016 (Ash) Black RAL 9005 (Ash)

Upholstery

Fabric, Leather, Artical Leather. COM and COL options are also available.

textile fabric yardage (mt)	2,3
real leather square meter (m ²)	3,45

More options are downloadable in the catalogues

MATERIAL CATALOGUE 

FABRIC & LEATHER CATALOGUE 



Bonny



Lounge

Indoor



Bonny

Lounge

Indoor

Models of Product

Created as a refined and comfortable alternative for living spaces, Bonny combines simplicity and integrity in its form.

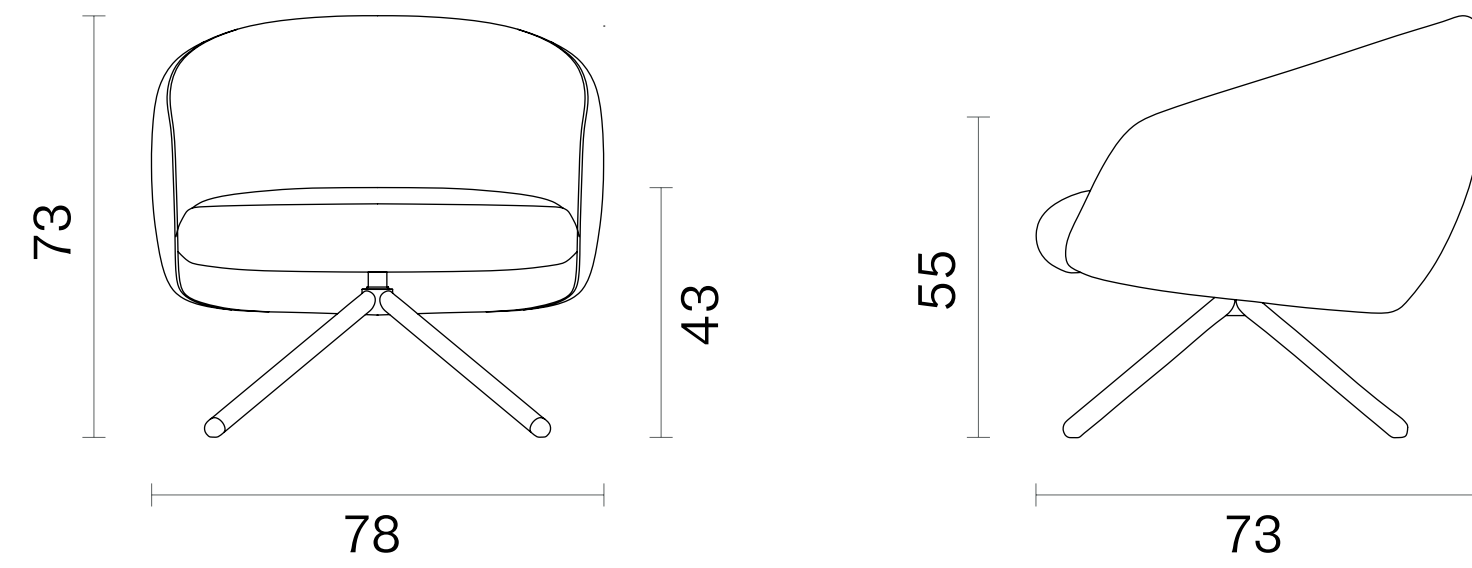
METAL SWIVEL BASE



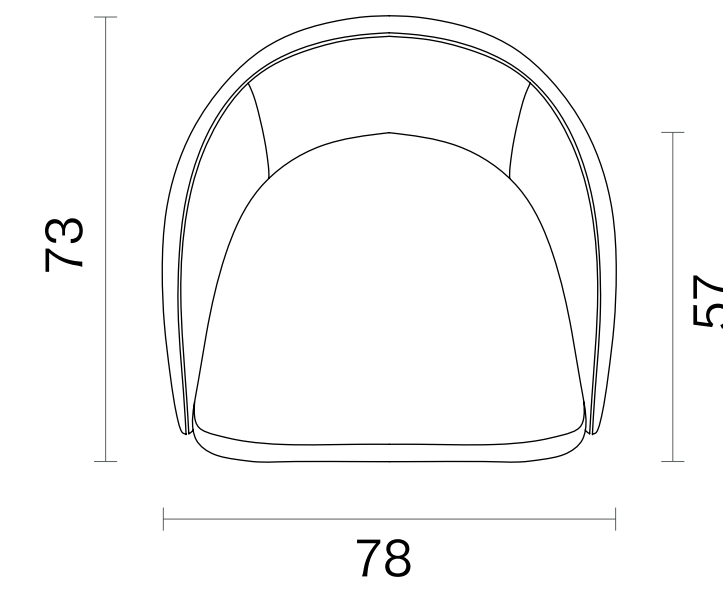
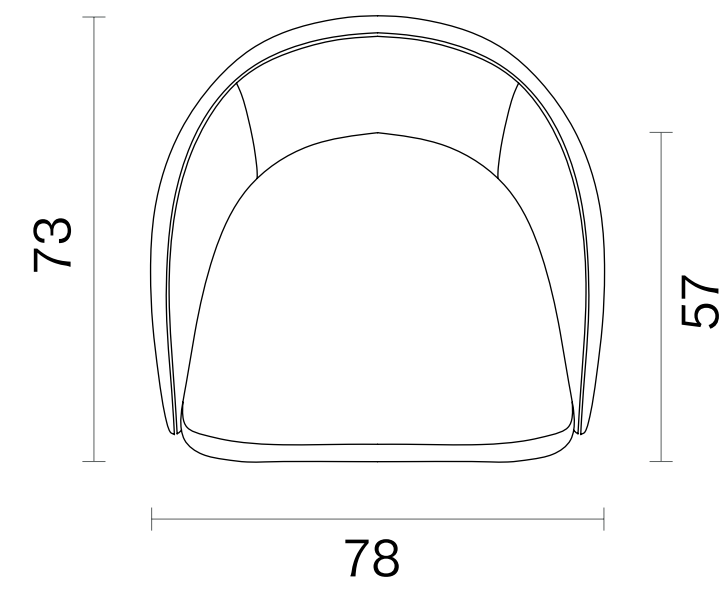
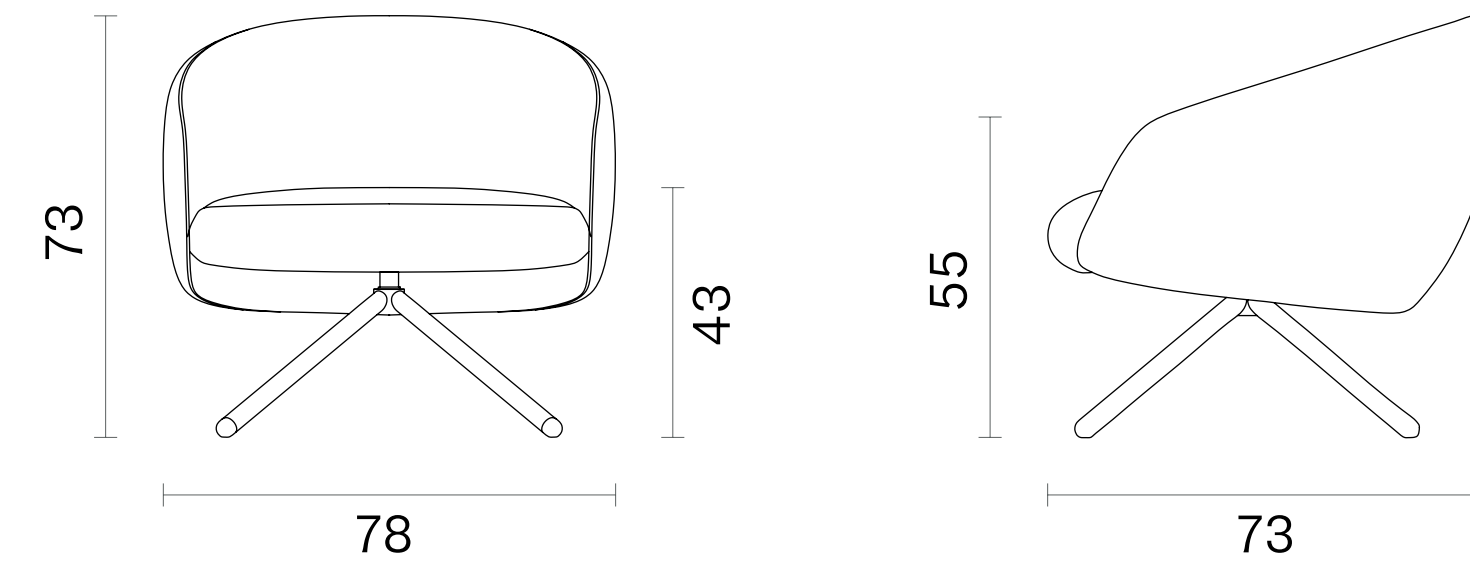
WOODEN SWIVEL BASE



METAL SWIVEL BASE



WOODEN SWIVEL BASE



Downloads

2D dwg, 3ds, 3dsMax, FBX, Rhino, Sketchup files **click and download**

CAD FILES & PHOTOS



You can run this product with following systems:



Bonny



Lounge

Indoor

Technical Specifications

Seat	Solid Beechwood + Plywood + HR Foam
Back	Metal Structure + Polyurethane Foam
Leg	8mm Metal Plate + Solid Ashwood / Solid Beechwood Ø32mm Metal Tube + Electrostatic Powder Coated
Upholstery	Fabric + Leather
Warranty	2 years

CARE AND MAINTENANCE



Care and maintenance instructions &
warranty certificate **Click and download.**



Bonny

Lounge

Indoor



www.bt.design

Showroom

Istanbul

+90 212 220 42 20
istanbul@bt.design

Ankara

+90 312 241 00 43
ankara@bt.design

Factory

Istanbul

+90 262 751 27 09
fabrika@bt.design

Bulgaria

europe@bt.design

Export

+90 212 220 26 97
export@bt.design